

PriorityOne[®] AC

Aspiration Catheter

**BETTER
DELIVERABILITY**
FOR EFFECTIVE
THROMBUS
REMOVAL



TERUMO
INTERVENTIONAL
SYSTEMS



PUSHING BOUNDARIES

Terumo Interventional Systems is **committed to your success** with innovative procedural solutions and ongoing support for your most challenging cases.

We are relentlessly seeking new ways to help you apply effective solutions and achieve **better outcomes for more patients.**

**TERUMO**
INTERVENTIONAL
SYSTEMS

DELIVER EFFECTIVE ASPIRATION IN TORTUOUS ANATOMY

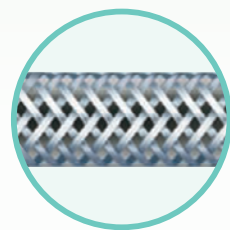
Designed to provide optimal deliverability for coronary and peripheral applications

KINK RESISTANCE

for improved pushability

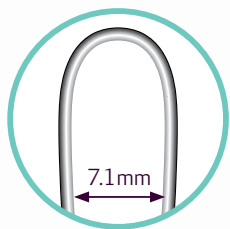
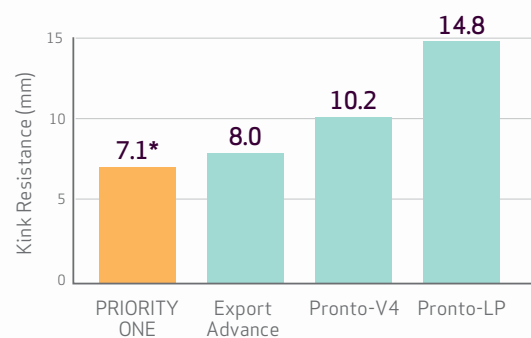
Fully braided stainless steel shaft provides variable stiffness with a stiffer proximal end for added pushability.

Guidewire-style stylet improves pushability and superior kink resistance—for optimal crossability in your most demanding cases.



Proven Superiority in Distal Kink Resistance¹

Distance in millimeters when catheter kinked

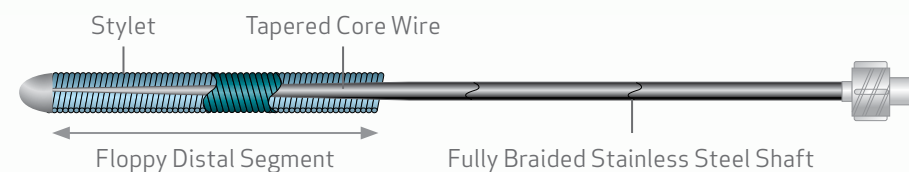


*Up to twice the kink resistance, compared to select competitors

SUPERIOR FLEXIBILITY

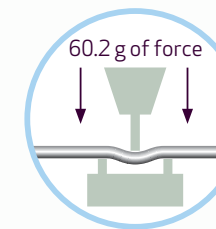
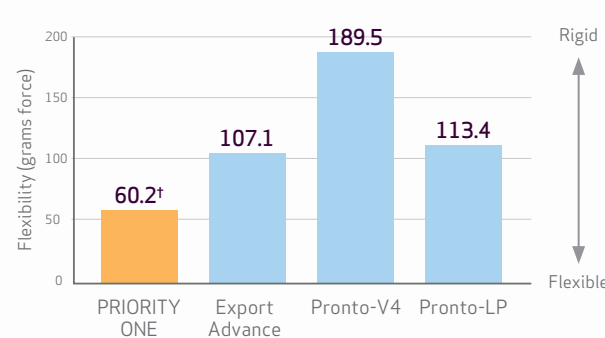
for maximum trackability

Floppy distal segment and distal hydrophilic coating facilitates excellent trackability with superior flexibility.



Proven Superiority in Distal Flexibility¹

Force required to flex distal tip



[†]Up to three times the flexibility, compared to select competitors

UNIQUE DESIGN

for effective aspiration

Large extraction lumen reinforced by fully braided stainless steel shaft construction supports improved aspiration performance throughout the procedure.

Pre-loaded stylet and pre-connected extension line and syringe allow for easy setup.

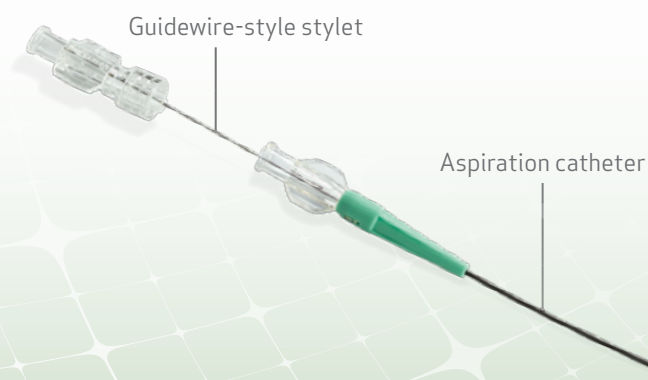
Unique beveled tip design supports effective aspiration and supports deliverability.



Large extraction lumen facilitates improved aspiration
Distal radiopaque marker for enhanced distal visualization
Aspiration lumen

Two sizes enable aspiration for a wide range of coronary and peripheral clinical scenarios.

6 Fr PRIORITYONE [®] AC		7 Fr PRIORITYONE [®] AC	
Distal Segment	Proximal Segment	Distal Segment	Proximal Segment
OD: 1.65 mm ID: 1.08 mm	OD: 1.40 mm ID: 1.10 mm	OD: 1.90 mm ID: 1.28 mm	OD: 1.60 mm ID: 1.30 mm
Extraction area (mm ²)		Extraction area (mm ²)	
0.80	0.95	1.22	1.33



PriorityOne® AC

Aspiration Catheter



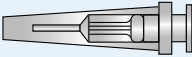
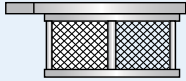
ORDERING INFORMATION

PRIORITYONE® AC	
PRODUCT CODE	GUIDE CATHETER COMPATIBILITY
30-6100	6 Fr (I.D. \geq 0.070" / 1.78 mm)
30-7100	7 Fr (I.D. \geq 0.080" / 2.03 mm)

PRODUCT SPECIFICATIONS

TIP LENGTH	COATING	RAPID EXCHANGE SEGMENT	RADIOPAQUE MARKER BAND	POSITIONING MARKS	WIRE COMPATIBILITY	CATHETER LENGTH
6 mm	Hydrophilic	9 cm	1 mm	10 cm single white mark located 90 cm from distal tip	0.014" (0.36 mm)	140 cm

PRIORITYONE® AC COMPONENTS

30 ML LOCKING SYRINGES (2) 	EXTENSION LINE WITH 2-WAY STOPCOCK (1) 
GUIDEWIRE LUMEN FLUSHING TOOL (1) 	FILTER BASKET (1) 

FIND OUT MORE ☎ Phone: 800.862.4143 🌐 terumo.com 📠 Fax: 800.411.5870

Reference:

1. Data on file. Terumo Corporation. PriorityOne Bench Testing – Test Report Final.doc (dated 09/30/2014).

For Rx only.

Before using refer to **Instructions for Use** for indications, contraindications as well as warnings and precautions @ www.terumo.com

©2018 Terumo Medical Corporation. All rights reserved. All brand names are trademarks or registered trademarks of Terumo. PM-00093

**TERUMO**
INTERVENTIONAL
SYSTEMS